



# Installation Instructions Bestop Front Winch Bumper

Vehicle Application:  
Jeep® JL Wrangler & Gladiator 2018- Current  
Part Number 44960

## Installation Tips

Before you begin installing your new Bestop Front Bumper, please read all the instructions thoroughly.

**WARNING** The manufacturer strongly recommends that this product be professionally installed.

**WARNING** Failure to carefully follow the electrical installation steps could result in severe electrical shock which could harm the installer and/or damage the vehicle.

**WARNING** This product is designed primarily to enhance the appearance and comfort of the vehicle. Do not rely in any way on the components of this product to protect the occupants within the vehicle, or to protect against injury or death in the event of an accident. Never operate the vehicle in excess of manufacturer's specifications.



## WEAR SEAT BELTS AT ALL TIMES

**CAUTION** Safety glasses should be worn at all times when installing this product.

Tools			
Safety Glasses	18mm - 3/8" Wrench	Socket Wrench	8mm- 10mm - 15mm 16mm - 18mm 3/8" - 1/2" Sockets
T20 Torx, Phillips, and Flat Blade Screwdrivers	Utility Knife	Pliers	HEX or Allen 2.5mm-4mm (PROVIDED)

Installation Time
1-1/2 hours

Skill Level
<div style="display: flex; justify-content: space-around; align-items: center;"> <div style="border: 1px solid black; border-radius: 50%; width: 30px; height: 30px; display: flex; align-items: center; justify-content: center;">1</div> <div style="border: 1px solid black; border-radius: 50%; width: 30px; height: 30px; display: flex; align-items: center; justify-content: center;">2</div> <div style="border: 2px solid black; border-radius: 50%; width: 30px; height: 30px; display: flex; align-items: center; justify-content: center;">3</div> <div style="border: 1px solid black; border-radius: 50%; width: 30px; height: 30px; display: flex; align-items: center; justify-content: center;">4</div> </div> <p>3 - Moderately Difficult</p>

Support
<p>We're here to help! Go to: <a href="https://www.bestop.com">https://www.bestop.com</a> and click on Need Help?</p>
<a href="https://www.bestop.com/video-library">https://www.bestop.com/video-library</a>

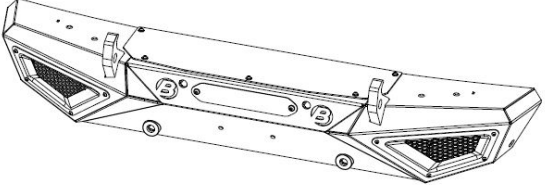
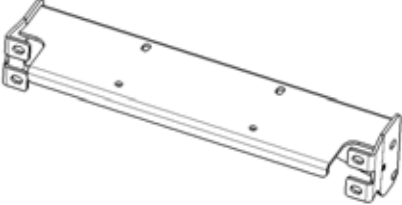
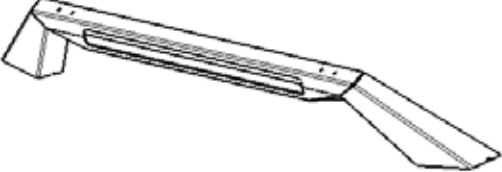




# Installation Instructions Bestop Front Winch Bumper

Vehicle Application:  
Jeep® JL Wrangler & Gladiator 2018- Current  
Part Number 44960

## Parts List

- Required parts for installation

 <p>Front Bumper Part # 200332858 Qty 1</p>	 <p>Winch Mounting Plate Part # 200316229 Qty 1</p>	 <p>Grille Guard Part# 200373563 Qty: 1</p>
 <p>License Plate Bracket Part# 200317841 Qty: 1</p>	 <p>LED Light Bar Bracket (DS /PS) Part # 200332894 / 200334320 Qty 1 each side</p>	



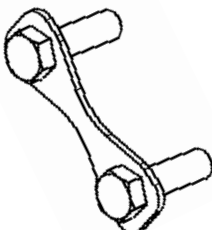
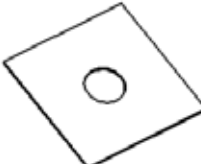
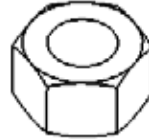
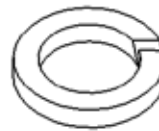

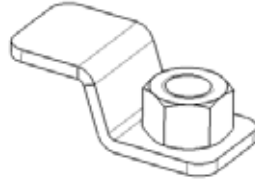
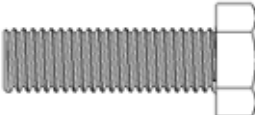







# Installation Instructions

## Bestop Front Winch Bumper

Vehicle Application:  
Jeep® JL Wrangler & Gladiator 2018- Current  
Part Number 44960

### Parts List

- Required parts for installation

 <p>12mm Bolt Plate Part # 200281516 Qty 4</p>	 <p>Square Plastic Retainer Part # TY000505 Qty 8</p>	 <p>12mm Nut Part # 3001505 Qty 8</p>	 <p>12mm Lock Washer Part # 3000171 Qty 10</p>	 <p>12mm Flat Washer Part # 3000252 Qty 10</p>	 <p>12mm Nut Plate Part # 200337823 Qty 2</p>
 <p>12mm x 40mm bolt Part # 3002819 Qty 2</p>	 <p>10mm Flat Washer Part # 3000245 Qty 2</p>	 <p>10mm Lock Washer Part # 3000160 Qty 2</p>	 <p>10mm x 25mm Bolt Part # 3002689 Qty 2</p>	 <p>8mm x 25mm bolt Part # 3002591 Qty 4</p>	 <p>8mm Flange Nut Part # 3001577 Qty 4</p>
 <p>6mm x 20mm Combobolt Part # 3006267 Qty 2</p>	 <p>6mm Flange Nut Part # 3001569 Qty 2</p>				




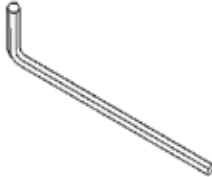
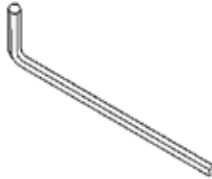
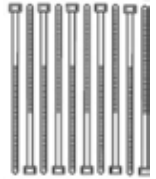
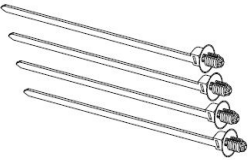


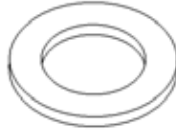
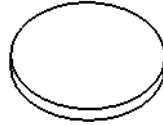
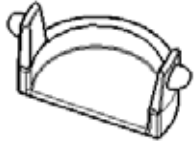


# Installation Instructions Bestop Front Winch Bumper

Vehicle Application:  
Jeep® JL Wrangler & Gladiator 2018- Current  
Part Number 44960

## Parts List

- Required parts for installation

 <p>4mm x 10mm Allen Bolt Part # 3000690 Qty 8</p>	 <p>8mm Large Washer Part # 3000238 Qty 4</p>	 <p>8mm Lock Washer Part # 3000147 Qty 4</p>	 <p>2.5mm Allen Hex Part # 3000057</p>	 <p>4mm Allen Hex Part # 3000062</p>	 <p>Zip Tie Part # 200109093 Qty 10</p>
 <p>Anchor Zip Tie Part # 200227045 Qty 4</p>	 <p>Sensor Retaining Ring Part # 200215571 Qty 6</p>	 <p>Sensor Retaining Ring Part # 200159220 Qty 6</p>	 <p>Adhesive Tape Ring Part# 200247143 Qty:6</p>	 <p>Adhesive Pad Part # 200241029 Qty 6</p>	 <p>Sensor Retaining Ring Part # 200240603 Qty 6</p>



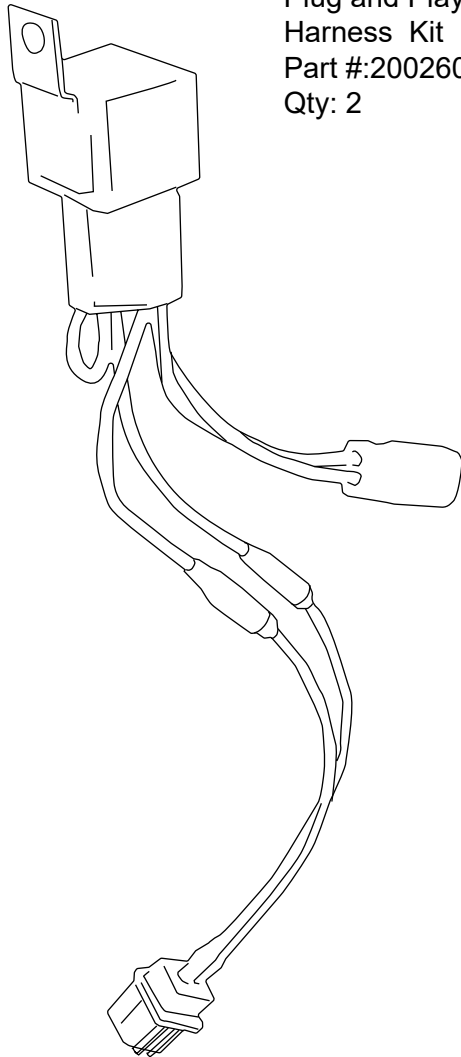
# Installation Instructions Bestop Front Winch Bumper

Vehicle Application:  
Jeep® JL Wrangler & Gladiator 2018- Current  
Part Number 44960

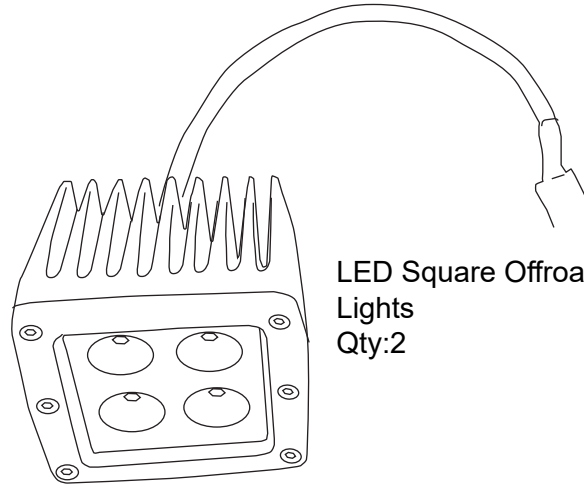
## Parts List

- Required parts for installation

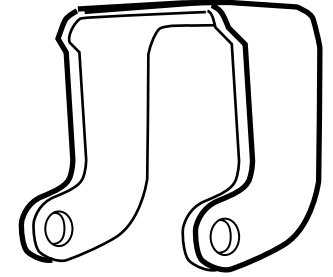
### LED Lamps and Small Parts - TY001611



Plug and Play Relay  
Harness Kit  
Part #:200260836  
Qty: 2



LED Square Offroad  
Lights  
Qty:2



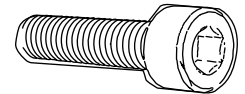
Lamp Bracket  
Qty: 2



M6 Nut  
Qty: 4



6mm Lock Washer  
Part # 3000129  
Qty: 4



M6 Allen Head Bolt  
Qty: 4



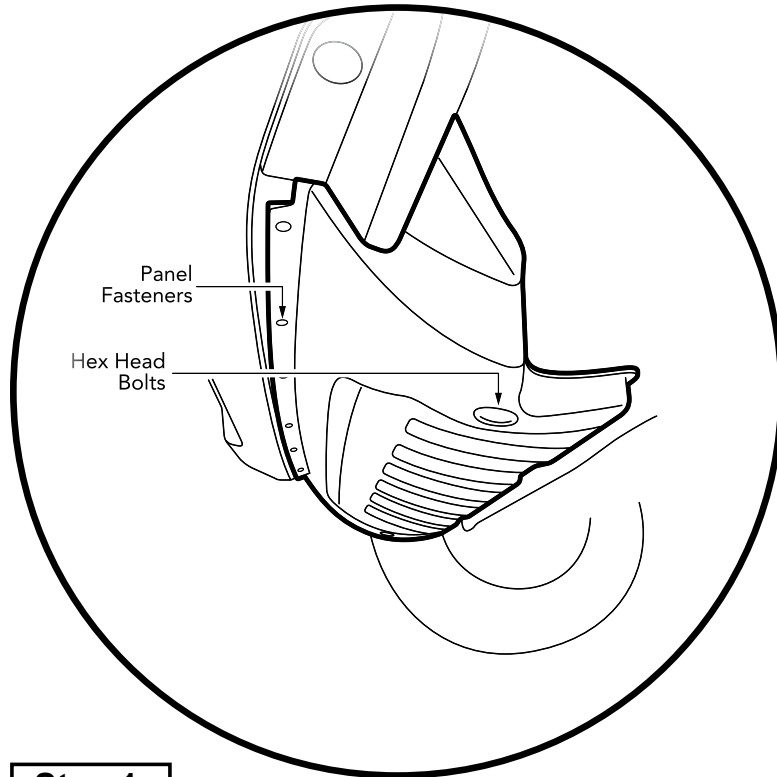
8mm x 25mm Hex Bolt  
Qty: 2



8mm Lock Washer  
Qty: 2



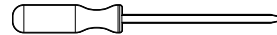
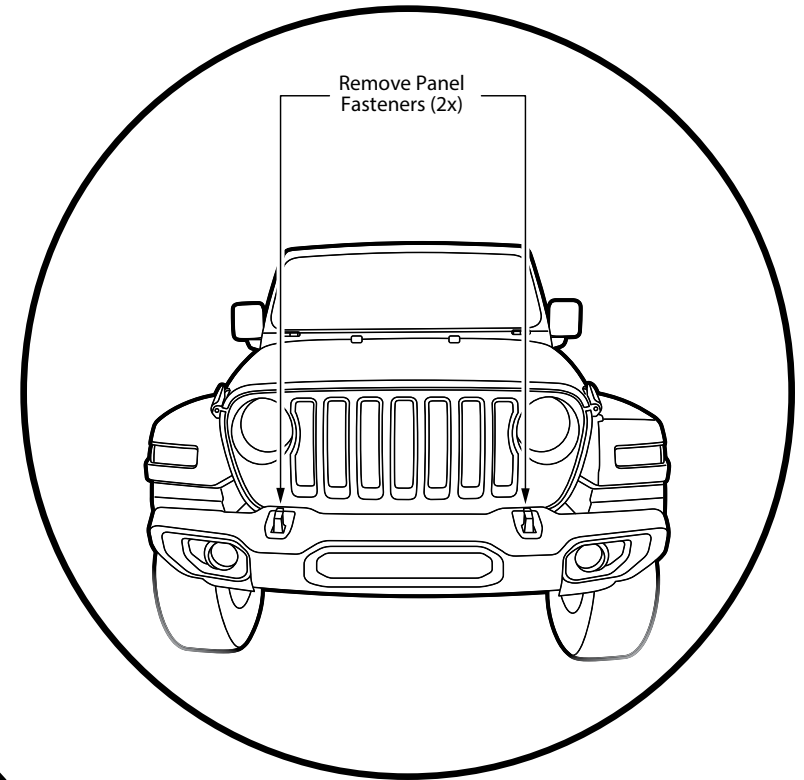
8mm Nut  
Qty: 2



### Tools



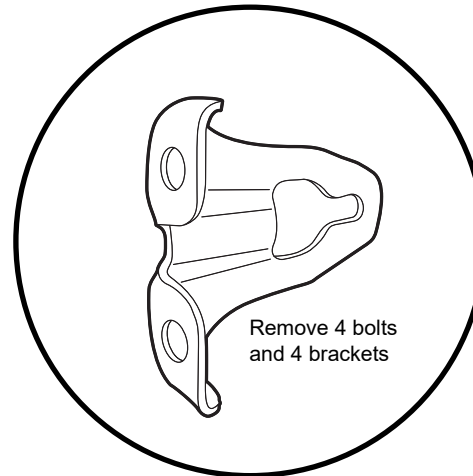
Socket Wrench

18mm & 8mm  
SocketsFlat Blade  
Screwdriver

### Step 1

Remove eight (8) Panel Fasteners and two (2) Hex-Head Bolts from the underside of the factory Skid Plate, and remove the Skid Plate from the Jeep.

### Detail



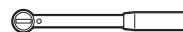
### Step 2

**NOTE:** Unplug the Fog Light connector, located behind the bumper on the passenger side, before removing the factory bumper.

Remove eight (8) 18mm nuts attached to the studs on the inside of the bumper. These nuts attach the bumper to the Jeep frame.

Remove four (4) 16mm flanged hex head bolts and the four (4) attached brackets. See Detail of bracket. Keep these bolts for a later step in the installation.

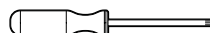
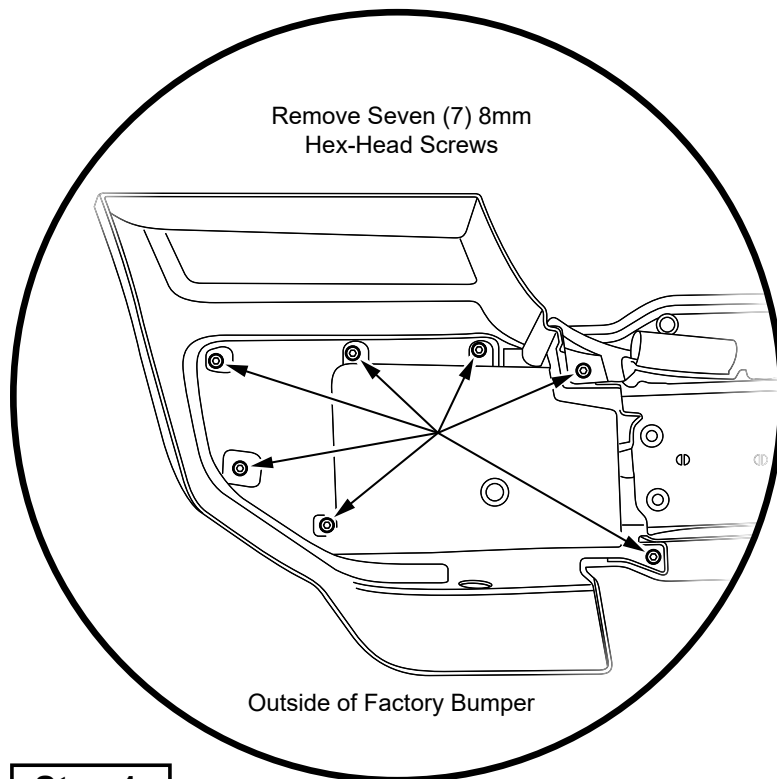
## Tools



Socket Wrench

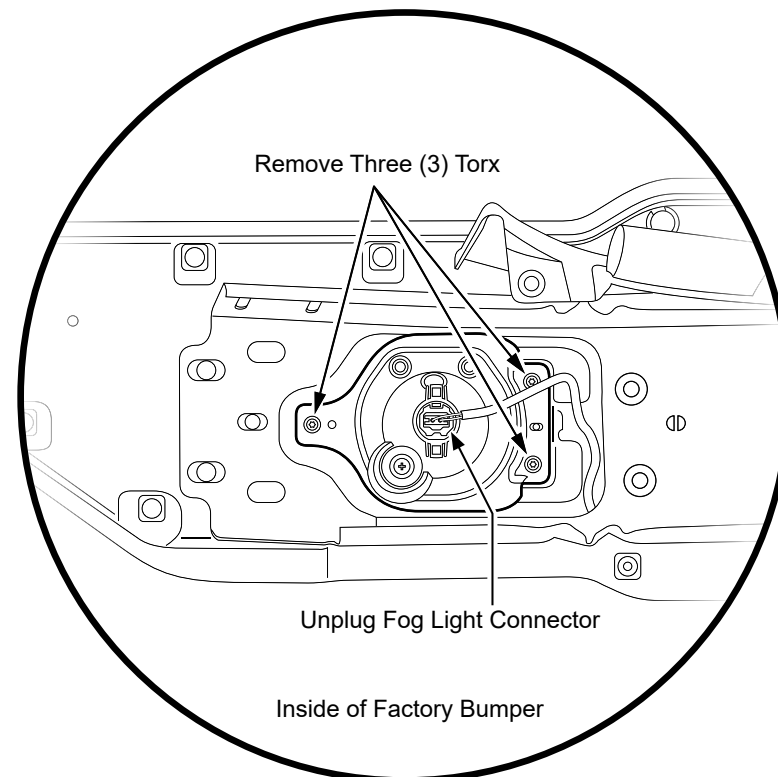


8mm Socket

Flat Blade  
ScrewdriverT20 Torx  
Driver

## Step 1

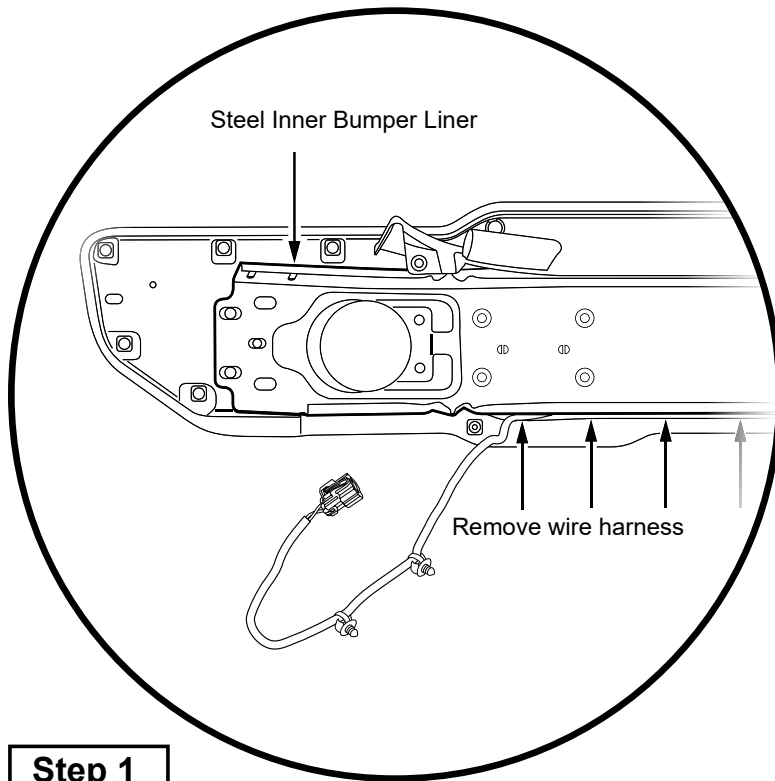
Remove One (1) Panel Fastener and seven (7) Hex-Head Screws from the back side of the factory Bumper, and remove the Fog Light Rear Cover Panel.  
Repeat for both Fog Lights.



## Step 2

Remove three (3) T20 Torx Screws from the fog light bracket.  
Unplug the Fog Light Connector.  
Remove the Fog Light from the factory bumper.  
Repeat for both Fog Lights.

## Hardware



## Step 1

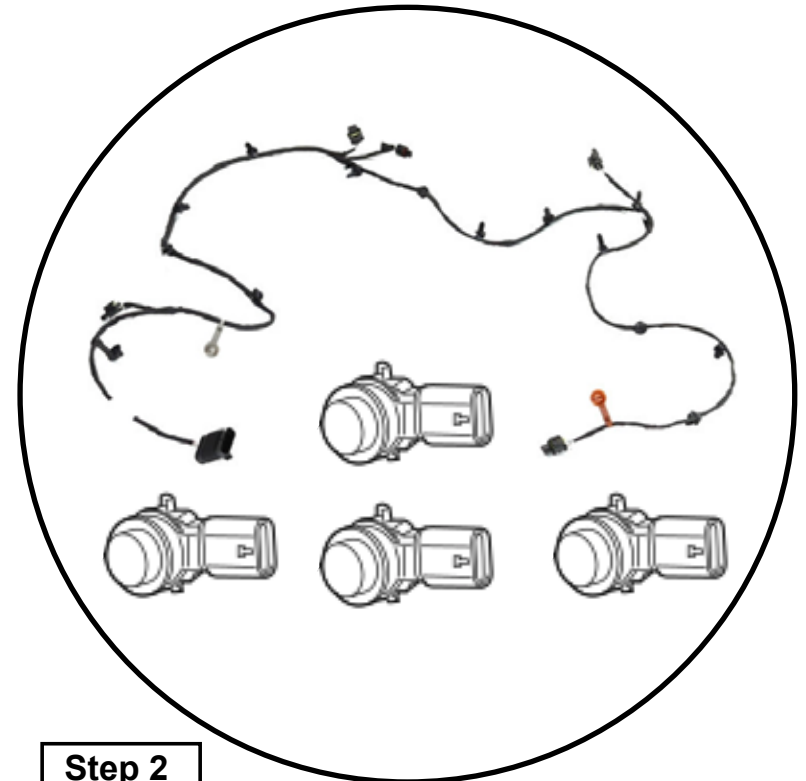
 **WARNING**

This step is difficult. May take two people to accomplish and may damage the OEM bumper and wire harness.

From the back side of the factory bumper, pry bar open a gap between the steel inner bumper liner and the plastic outer bumper fascia.

Use a long flat-blade screwdriver to pop out the seven (7) cable harness guides located between the bumper fascia and the liner, and remove the cable harness.

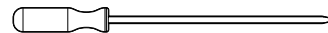
OR - you may order the factory OEM fog light wire harness from MOPAR. Part #6833 6461 AC



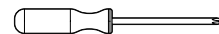
## Step 2

Remove all Parking and Driver assistance sensors and harnesses per dealership or vehicle manufacture service manuals. Take care with these components.

## Tools

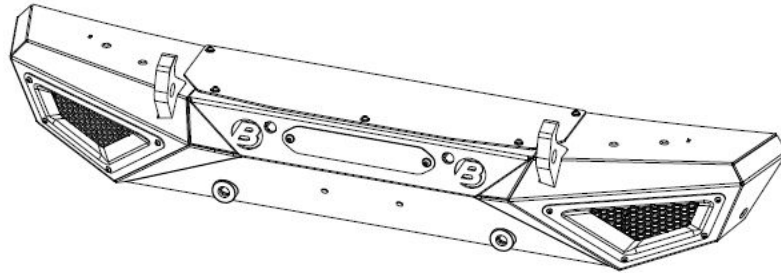


Long Flat-Blade Screwdriver



Phillips Screwdriver



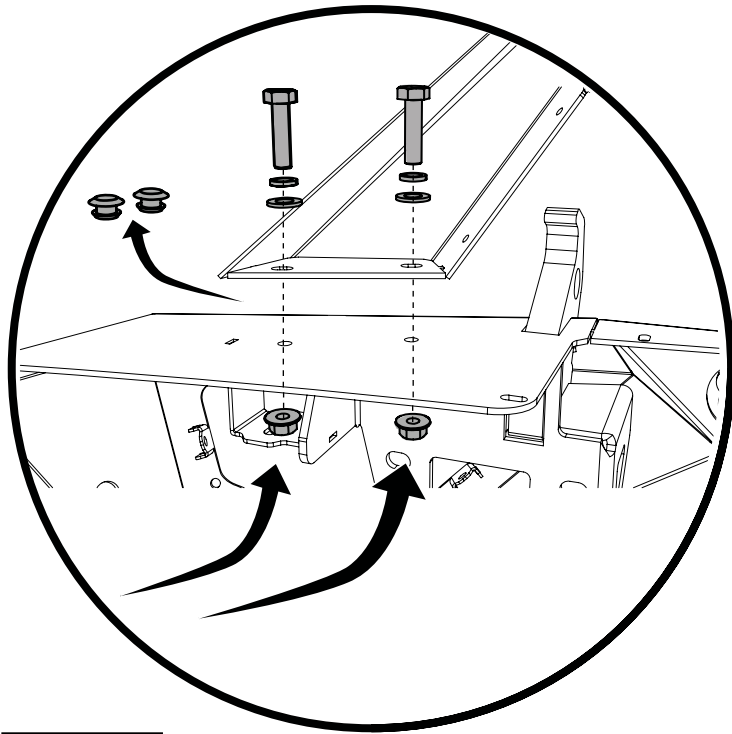


Recommended Upgrade:  
Baja Designs LED Fog Light kit  
PN: 4294001

### Step 1

The bumper will come out of the box with a few components (Bezels, Fairlead Plate, Winch Block-off Plate) pre-assembled. These parts are all removable, so you can customize to your vehicle.

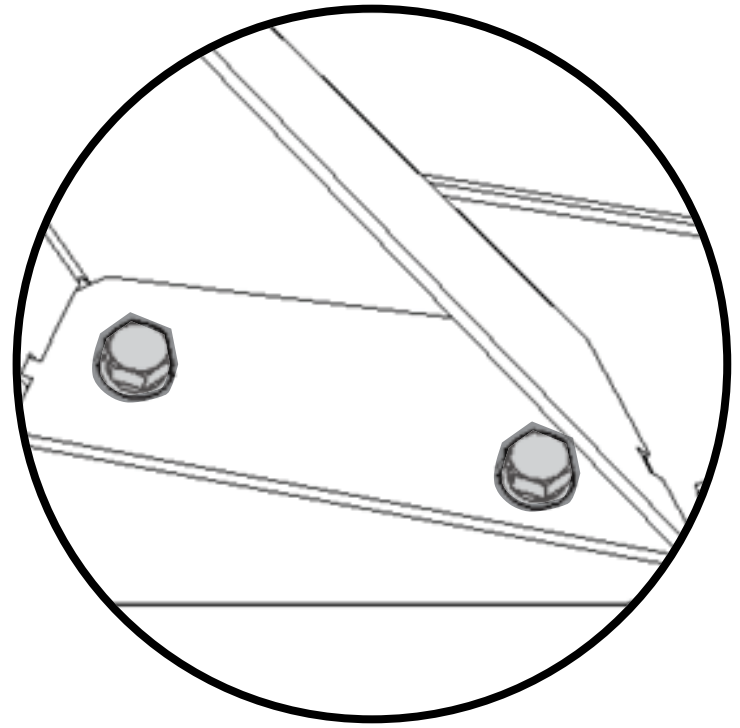
Many of these hole locations will have rubber trim plugs in the holes. Remove and retain the plugs as necessary.



**Hardware**

-   
8mm x 25mm Bolt  
Part #3002591  
Qty 4
-   
8mm Lock Washer  
Part #3000147  
Qty 4
-   
8mm Flat Washer  
Part #3000238  
Qty 4
-   
8mm Flange Nut  
Part #3001577  
Qty 4

**Detail**



**Step 2**





If you chose to install the Grille Guard, remove the rubber plugs, and retain them.

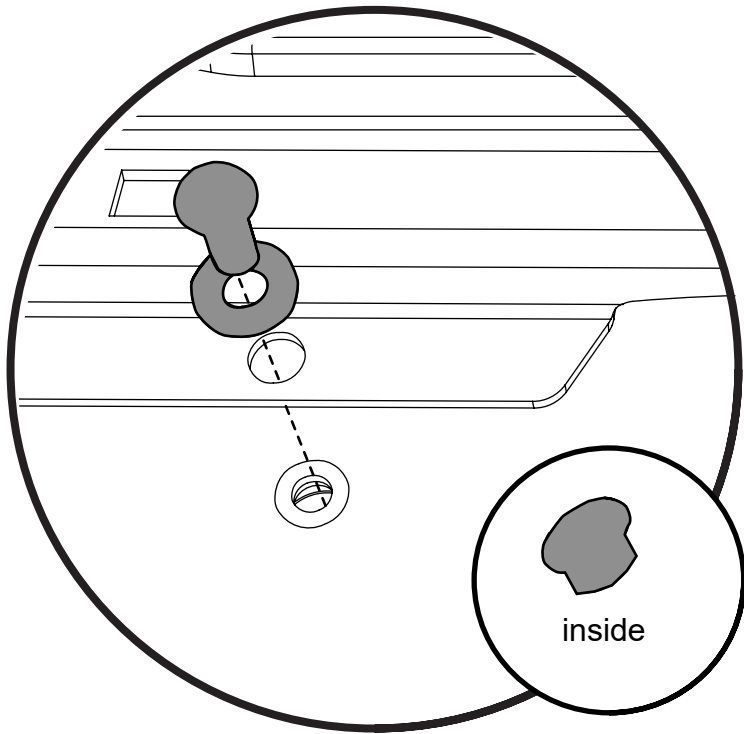
Install the Grille Guard (200398842) with the M8 Flat Washer (3000238), M8 Lock Washer (3000147), M8x25 Bolt (3002591) , and M8 Flange Nut.

You can choose to install an aftermarket single row 20" light bar. A set of optional L-Brackets are provided if needed (200332894(DS) / 200334320(PS)).

Torque the bolts to the Grille Guard insert-nut to 28 ft/lb

**Tools**

-   
Socket Wrench
-   
13mm Socket
-   
13mm wrench
-   
S=4



### Hardware



6mm x 20mm Combo Bolt  
Part# 3006267



6mm Flange Nut  
Part# 3001569



License Plate Bracket  
Part# 200317841

### Step 1

Place the Plate Bracket (200317841) over the holes in the lower center of the bumper shell. Insert the M6 Combo Bolt (3006267) through the bracket, and then through the bumper shell. Thread Flange Nut (3001569) on inside of bumper shell. Torque the nuts to 12ft/lb.

### Tools



Socket  
Wrench



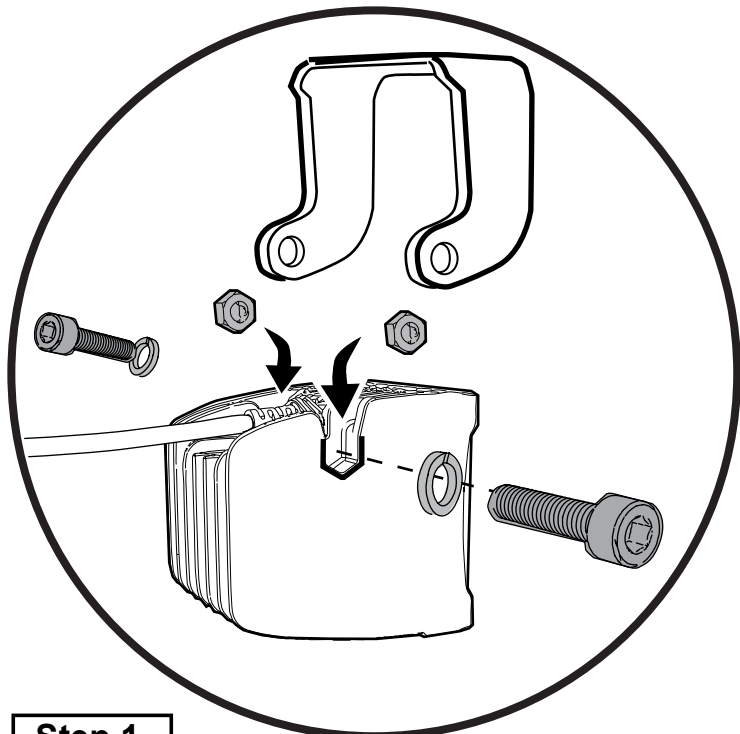
10mm  
Socket



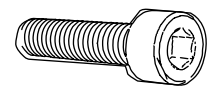
10mm  
Wrench



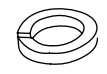
Hex or Allen  
4mm



**Hardware**



M6 Allen Head Bolt  
Qty: 4



M6 Lock Washer  
Qty: 4



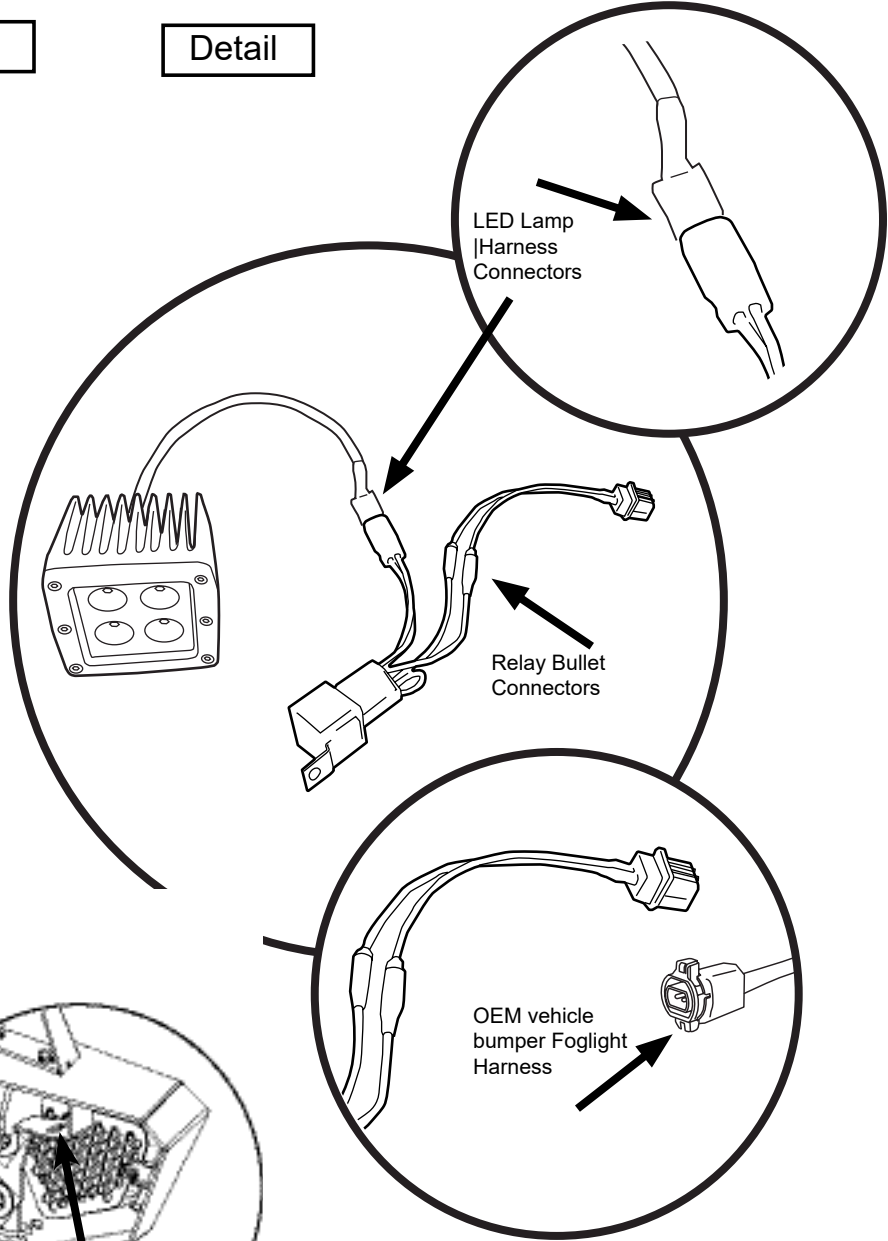
M6 Nut  
Qty: 4

**Tools**



Hex or Allen  
4mm

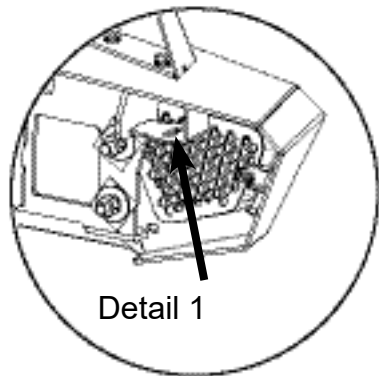
**Detail**



LED Lamp  
|  
Harness  
Connectors

Relay Bullet  
Connectors

OEM vehicle  
bumper Foglight  
Harness



Detail 1

**Step 1**

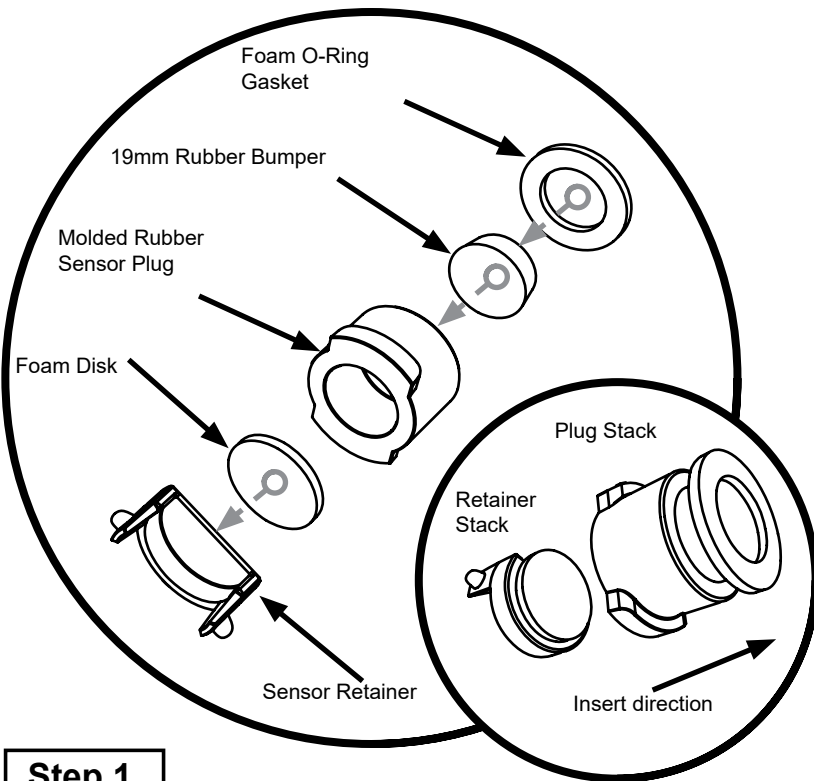
\*NOTE: LED Lamp is for off-road only. Lamp is not DOT / SAE compliant

Install the LED Bracket , as shown, with off-set leg pointing to the harness of the LED Lamp with the hardware provided. It will be easiest to place and align the bracket before you try to drop the nuts down into the lamp casting.

Thread the Bolt and Lock-Washer through the casting, and then through the bracket, into the nut. **DO NOT TIGHTEN**. You will need to aim and tighten lamps once everything is complete.

Install the Relay and harness as shown,

Note: Optional install location for light is behind mesh on bumper ends. (Detail 1)



**Step 1**

Stick the Adhesive Foam Disk (200247143) onto the Plastic Sensor Retainer (200240603). Set those aside.

Apply the 19mm Rubber tapered bumper (200215571) to the Molded Rubber Sensor Plug (200159220) as shown. Apply the Adhesive backed Foam Tape Ring (200247143) to the small tapered side bumper as shown above.

Insert these into the 6 sensor holes and shown.

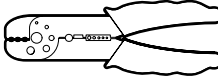
**Hardware**

  
4mm x 10mm Allen Bolt  
Part # 3000690  
Qty 8

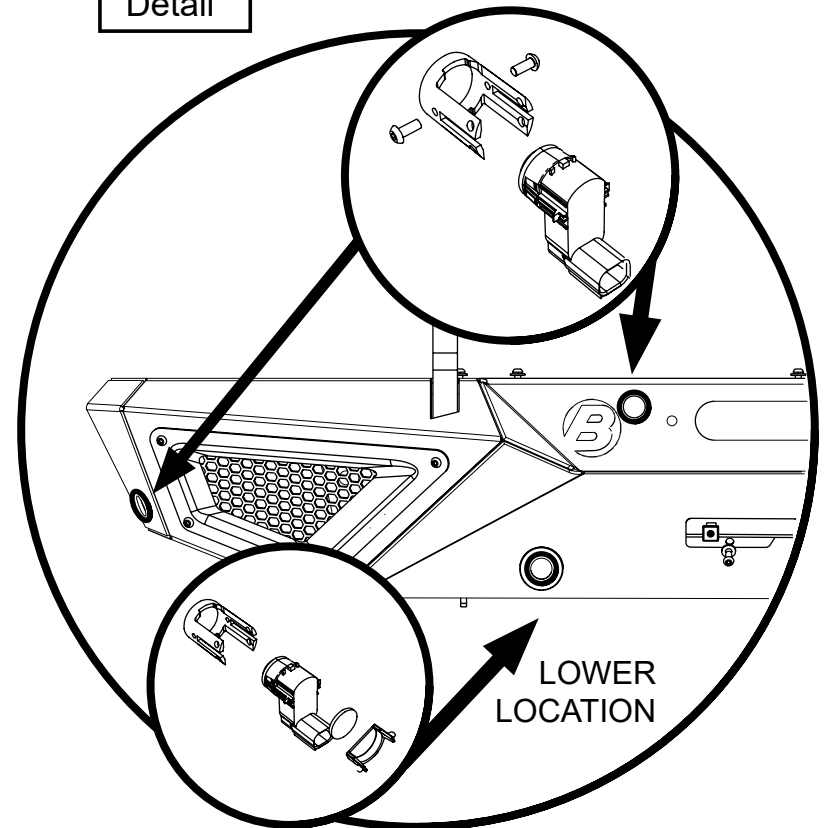
  
Zip Tie  
Part # 200109093  
Qty 10

**Tools**

  
4mm  
Allen Hex

  
Wire Stripper-  
Crimper

**Detail**

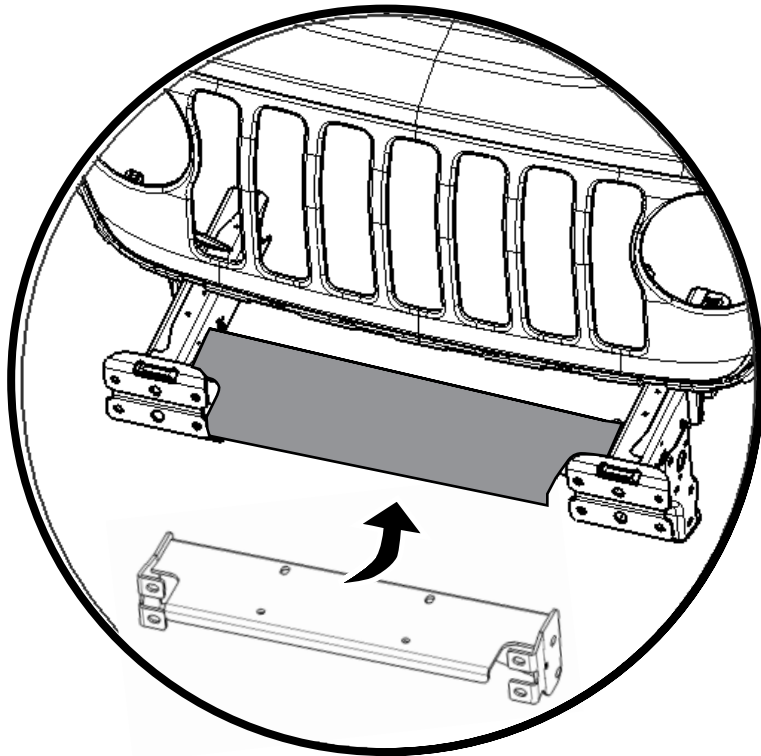


If your vehicle was equip with Driver Park Assist front sensors; Remove and install the sensors from your OEM bumper as shown.

Upper and Side sensors will be held by the 4mm bolts (3000690) on each size. TAKE CAUTION: the plastic sensor housing is fragile. Torque no more than 4 IN/LB.

The Lower two middle sensors will need to be held in as shown with the Plastic Retainer (200240603) with Adhesive Foam Disc (200247143), clipping into the bumper receiver.

Properly bundle, wrap, protect, anchor and Zip-tie the harness as needed.

**Step 1**

① Slide the Winch Plate in between the vehicle frame members from underneath, and then rotate the front part of the winch plate up and into place.

Align the holes in the Winch Plate with the holes in the vehicle frame members.

② Use two NEW M10 Bolts (3002689), two M10 Lock Washers (3000160), and two M10 Large Fender washers (3000245) to loosely secure the Winch Plate in place. Do not

tighten these fasteners at this time.

You may need to use a soft hammer and a wood block to nudge the Winch Plate into place.

**Hardware**

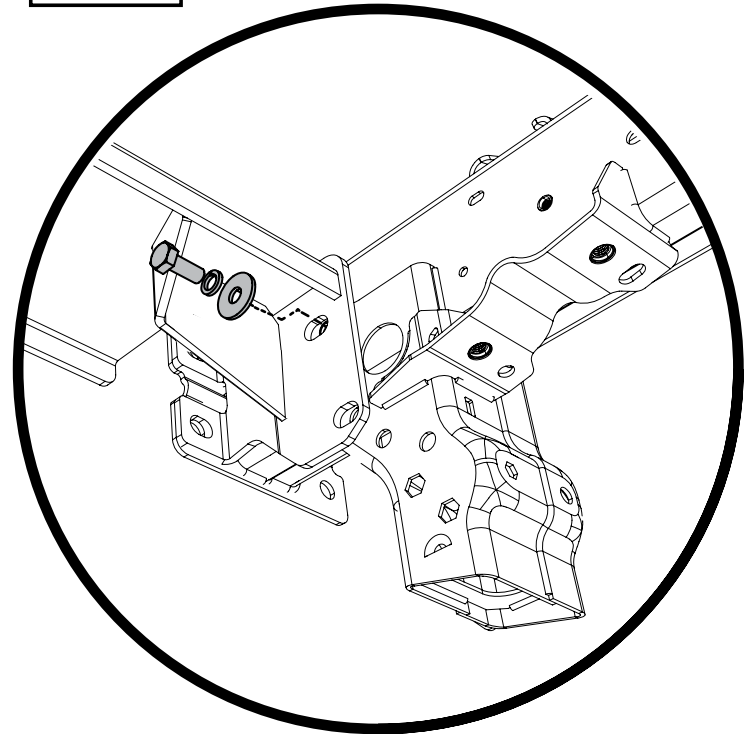
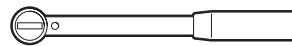
10mm x 25mm Bolt  
Part #3002689



10mm Lock Washer  
Part #3000160



10mm Flat Washer  
Part #3000245

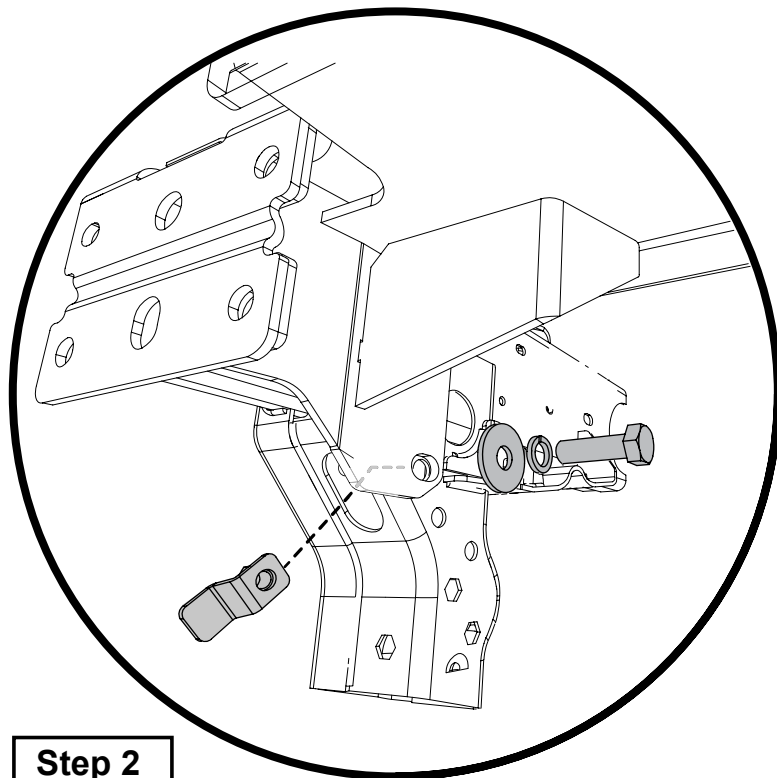
**Detail****Tools**

Torque wrench  
and 16mm  
socket



**Hardware**

**Detail**



12mm Nut Plate  
Part #200337823



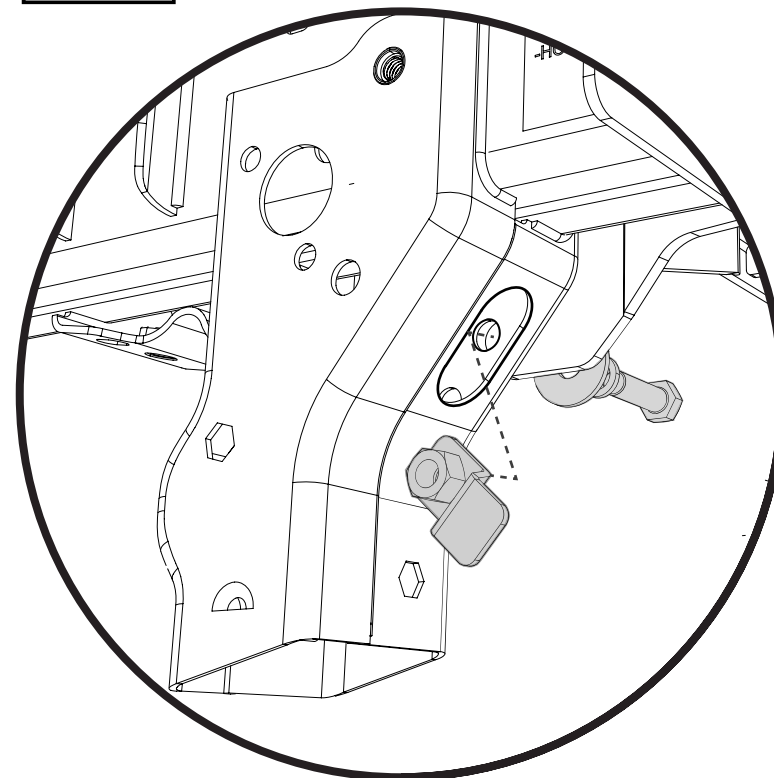
12mm x 35mm Bolt  
Part #3002819



12mm Lock Washer  
Part #3000171



12mm Flat Washer  
Part #3000252

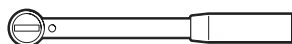


**Step 2**

The Winch Plate will be held by the upper bolt, and now you can insert the Flag-Nut Plate (200337823), into the frame window as shown above.

Insert the 12mm x 35mm bolt as show in the correct orientation. Pass the 12mm x 35mm ( ) with the Lock Washer ( ) and the Large 12mm Fender Washer through the winch plate, and then through the hole in the vehicle frame, so that you can thread it into the Flag-Nut Plate.

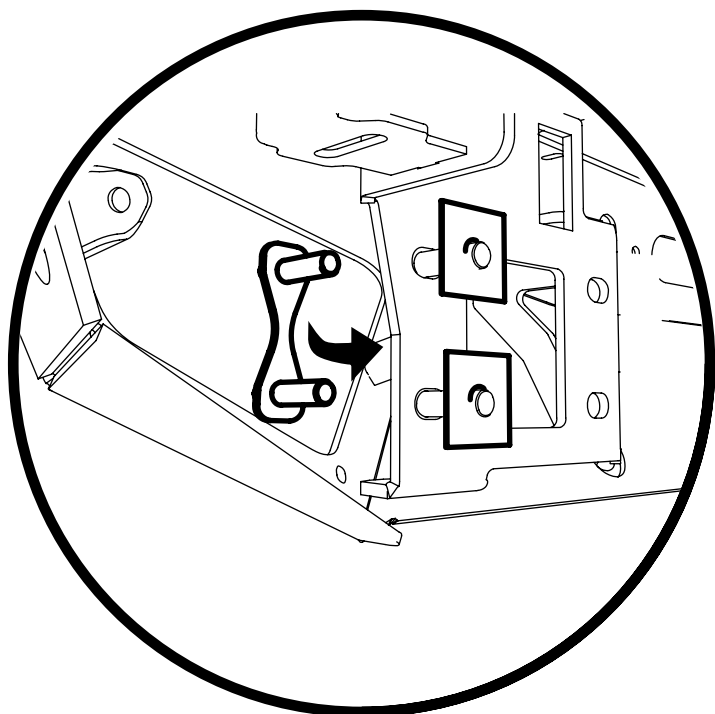
**Tools**



Torque wrench  
and 16mm  
-18mm and  
socket





**Step 1**

Before installing the bumper onto the frame:  
Slide the Bolt Plates (200281516) into the holes in the bumper as shown, pointing to the frame horn plates. Place the Square Plastic retainers (TY000505) onto the bolt threads so it will capture from falling out when you move the bumper to install on the frame. Thread them onto the bolts if needed.

**NOTE:** It may require two people to slide the Bumper into place.

**Hardware**

12mm Bolt Plate  
Part #200281516  
Qty 4



Square Plastic Retainer  
Part #TY000505  
Qty 8



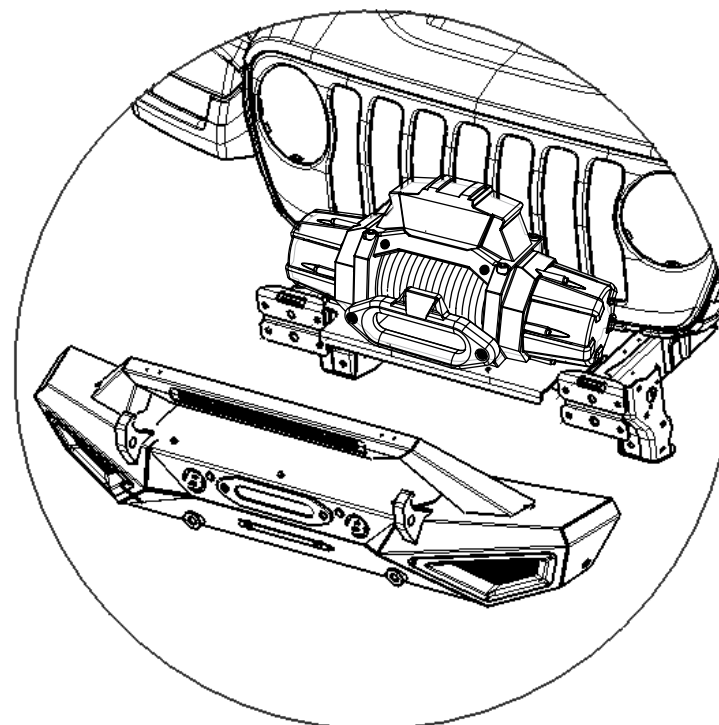
12mm Flat Washer  
Part #3000252  
Qty 8



12mm Lock Washer  
Part #3000171  
Qty 8



12mm Nut  
Part #3001505  
Qty 8

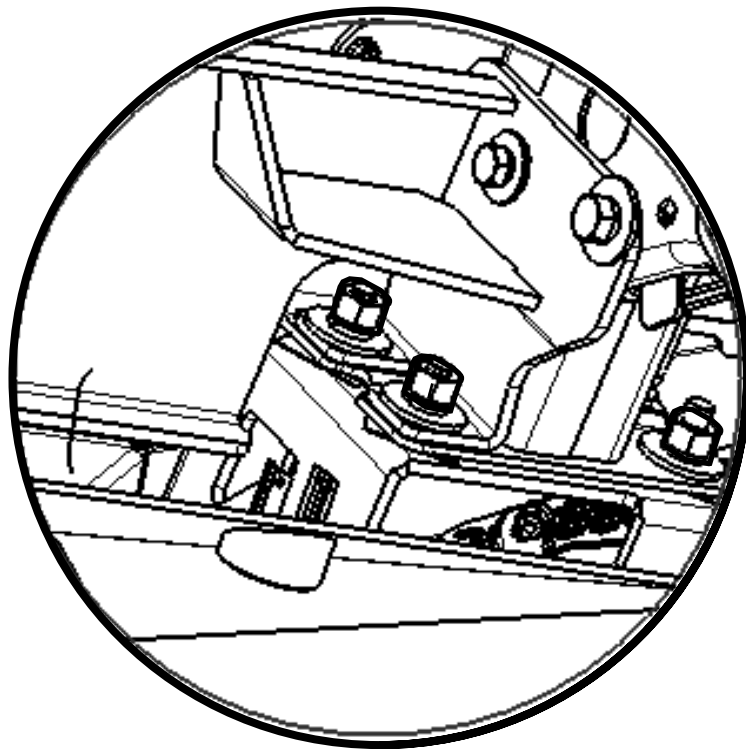
**Step 2**

Place the Bumper onto the frame mounts and verify the Bolt-plates are aligned.

Hand thread the Bumper to the vehicle frame bumper mounting plates with eight (8) M12 Flat Washers (3000252), eight (8) M12 Lock Washers (3000171), and eight (8) M12 Nuts (3001505) and verify it and clearance of all components, harnesses and accessories before tightening.



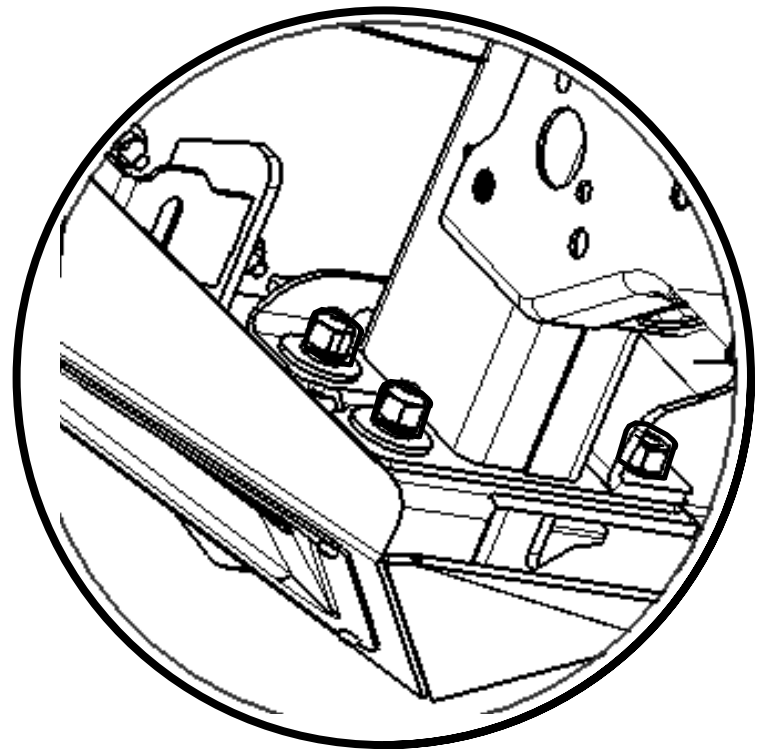




**Hardware**

-  12mm Flat Washer  
Part #3000252  
Qty 8
-  12mm Lock Washer  
Part #3000171  
Qty 8
-  12mm Nut  
Part #3001505  
Qty 8

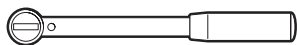

**Detail**




**Step 3**

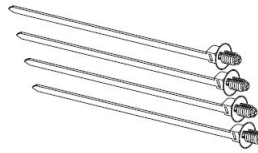
Complete the install, and Torque the nuts to 99 ft/lb

**Tools**

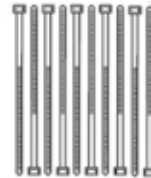
- 
-  Torque wrench and 18mm Socket

- 
- 18mm wrench**

**Hardware**



Anchor Zip Tie  
Part # 200398832  
Qty 4

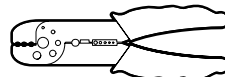


Zip Tie  
Part # 200109093  
Qty 10

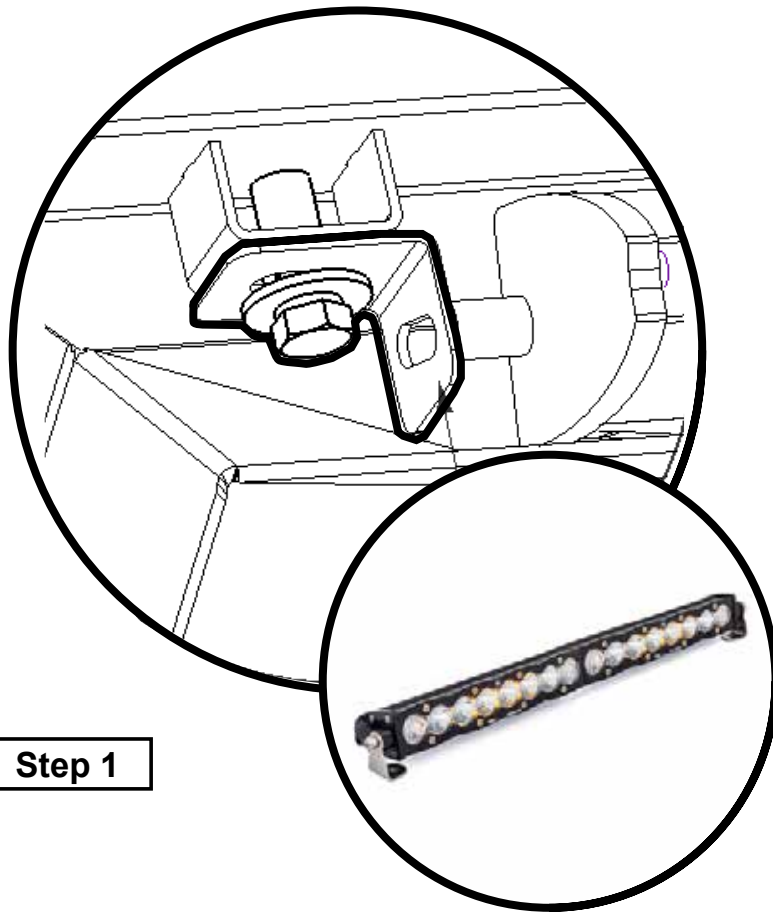
**Tools**



Utility Knife



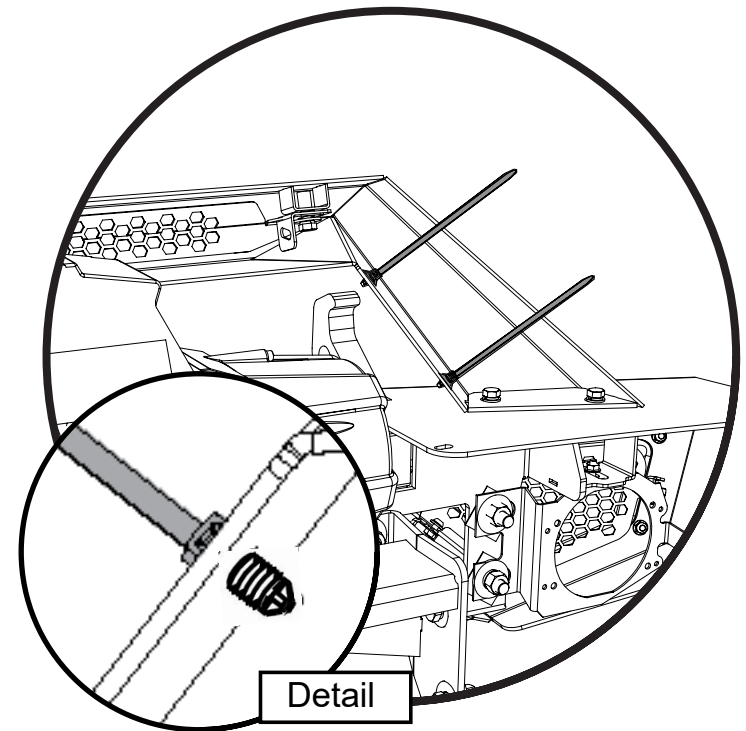
Wire Stripper-Crimper



**Step 1**

Recommended Upgrade:  
Baja Designs  
20" LED Light bar kit  
PN: 4294301

Previously installed LED bracket was specifically designed for this application. Any other LED Bar may require D.I.Y. or Unique Custom fabricated solutions for mounting.



**Step 2**

If needed:  
Install the Anchor Zip Ties by pressing the Arrow-Head feature into the provided holes on the Grille-Guard. Make sure to fully press, so the Arrow locks on the interior side. Proceed to secure any wire harnesses for auxiliary LED Lightbar.

Use the remaining provided Zip Ties to secure any additional wires and harnesses such as the Drivers assistance sensors and lower LED lighting.



## Warranty Information Bestop Front Bumper

Vehicle Application:  
Jeep® JL Wrangler & Gladiator 2018- Current  
Part Number 44960

### WHAT BESTOP WARRANTS

Subject to the terms and conditions of sale, including any terms and conditions set forth by Bestop, Inc. (“Bestop” or “us” or “we”) in our then-current terms of sale on our website (collectively, the “Terms”), Bestop represents and warrants that: the covered products listed in the “Covered Products and Warranty Periods” section (a “Product”) will substantially be free from defects in materials and workmanship for the specified warranty periods set forth in that section.

### THE WARRANTY IS LIMITED AND CONDITIONAL

This warranty applies to the original purchaser of the Product only. The warranty is valid only as long as the original retail purchaser owns the vehicle upon which the Product is installed. The warranty expires should the Product be removed from the original vehicle or if the original vehicle is transferred to another owner. This warranty is not transferable or assignable. The warranty does not apply to Product bought from auction-style or price-bid websites.

THE LIMITED WARRANTY AND STATED REMEDIES ARE SOLE AND EXCLUSIVE AND IN LIEU OF ALL OTHER WARRANTIES AND REMEDIES, AND COMPANY EXPRESSLY DISCLAIMS ALL IMPLIED OR STATUTORY OR OTHER WARRANTIES, INCLUDING WITHOUT LIMITATIONS WARRANTIES OF MERCHANTABILITY, NON-INFRINGEMENT OR FITNESS FOR A PARTICULAR PURPOSE. IN NO EVENT WILL COMPANY BE LIABLE FOR ANY SPECIAL, INCIDENTAL, CONSEQUENTIAL, PUNITIVE, INDIRECT OR EXEMPLARY DAMAGES OF ANY KIND, INCLUDING LOST PROFITS OR REVENUE, HOWEVER CAUSED, WHETHER FOR BREACH OR REPUDIATION OF CONTRACT, TORT, BREACH OF WARRANTY, NEGLIGENCE, OR OTHERWISE, WHETHER OR NOT COMPANY WAS ADVISED OF THE POSSIBILITY OF SUCH LOSS OR DAMAGES. Some states do not allow exclusion or limitation, so this may not apply to you. This warranty gives you specific legal rights, and you may have other rights which vary from state to state.

### EXCLUSIONS TO THE WARRANTY

The Limited Warranty excludes, and Bestop is not liable in any way for any warranty claims, damages, or defects related to:

- Misuse, abuse, accidents, vandalism, negligence, fire, or improper installation or modification, or improper or inadequate maintenance;
- Failure to comply with any Product documentation, Bestop instructions, or applicable law or regulations; use in extreme conditions
- Force Majeure including but not limited to, earthquake, hurricane, tornado, flooding, or other disasters natural or man-made, civil unrest, strikes, declared or undeclared war, or lack of performance by, or discontinued product of, supply chain partners whose products, software, operations or management is beyond the control of Bestop;
- Damage resulting in breakage (including without limitation, spontaneous breakage, accidental breakage or breakage by any other means) of a Product or any component part;
- Damage to vinyl windows due to misuse, or cracking due to varying weather conditions.

### YOUR SOLE REMEDY

During the applicable warranty period, Bestop shall, at its option, either repair or replace any Product that it confirms, in its discretion, is non-compliant with the warranties herein. Bestop will not pay for labor charges associated with installation or removal of the Product. Should a specific Product be discontinued, Bestop may, at its option, replace the discontinued Product with a current product or like product. If Bestop opts to repair or replace your Product as set forth herein, Bestop shall use reasonable efforts to match any patch or replacement to the color and texture of your existing Product. There is no guarantee however, that Bestop will be able to match the color or texture. If Bestop is not able to match the color or texture, it may provide you with a black or neutral colored patch replacement in its discretion.

Please retain your proof of purchase. Original proof of purchase for the Product must accompany any warranty claim. If you have a warranty claim, first you must email Bestop Customer Service at [csbestop@bestop.com](mailto:csbestop@bestop.com) for instructions. All claims must be emailed to [csbestop@bestop.com](mailto:csbestop@bestop.com) within 30 days of discovery of a defective Product, but in no event later than thirty days after the end of the applicable Warranty Period (the “Warranty Notice Period”). Warranty claims made after the Warranty Notice Period are null and void and Bestop shall have no responsibility with respect to such claims.

THIS SECTION SETS FORTH BESTOP’S SOLE OBLIGATION & YOUR SOLE REMEDY WITH RESPECT TO ANY DEFECTS OR OTHER PRODUCT



## Warranty Information Bestop Front Bumper

Vehicle Application:  
Jeep® JL Wrangler & Gladiator 2018- Current  
Part Number 44960

**COVERED PRODUCTS AND WARRANTY PERIODS:** The warranty time periods are as follows for Products manufactured by Bestop:

### BESTOP® LIMITED LIFETIME WARRANTY

® Pro Twill Fabric Top Sunrider® for Hardtop Twill Fabric Top  
Trektop® NX Glide Twill Fabric Top Replace-a-Top™ Twill Fabric Top  
Trektop® NX Twill Fabric Top Supertop® NX Twill Fabric Top  
EZFold™ Soft Tonneaus Floor & Cargo Liners  
ZipRail™ Soft Tonneaus Pet Barriers  
EZRoll™ Soft Tonneaus

### BESTOP® 5-YEAR LIMITED WARRANTY

Trektop® NX Glide™ Top (non-Twill) Sunrider® for Hardtop (non-Twill) Replace-a-Top™ Top (non-Twill) Trektop® NX Top (non-Twill)  
Sailcloth Replace-a-Top™ Supertop® NX Top (non-Twill)  
Tigertop™ and Halftop™ Supertop® Classic Soft Top Sunrider® Complete Soft Top Supertop® for Truck  
EZ Fold Hard Tonneau

### BESTOP® 3-YEAR/100K MILES LIMITED WARRANTY

Powerboard® & Powerboard® NX  
Trekstep®, Side Mount  
Trekstep®, Rear Mount

### BESTOP® 3-YEAR LIMITED WARRANTY

Pavement Ends Sprint Top

### BESTOP® 2-YEAR LIMITED WARRANTY

Trektop® Classic Soft Top  
RoughRider™ Soft Storage

### BESTOP® 1-YEAR LIMITED WARRANTY

All other Bestop® & Pavement Ends™ products not specified above.

For further information or request for warranty work, please contact:

Bestop Inc. Customer Service

Toll-Free: (800)845-3567

E-mail: [csbestop@Bestop.com](mailto:csbestop@Bestop.com)

Website: [www.Bestop.com](http://www.Bestop.com)